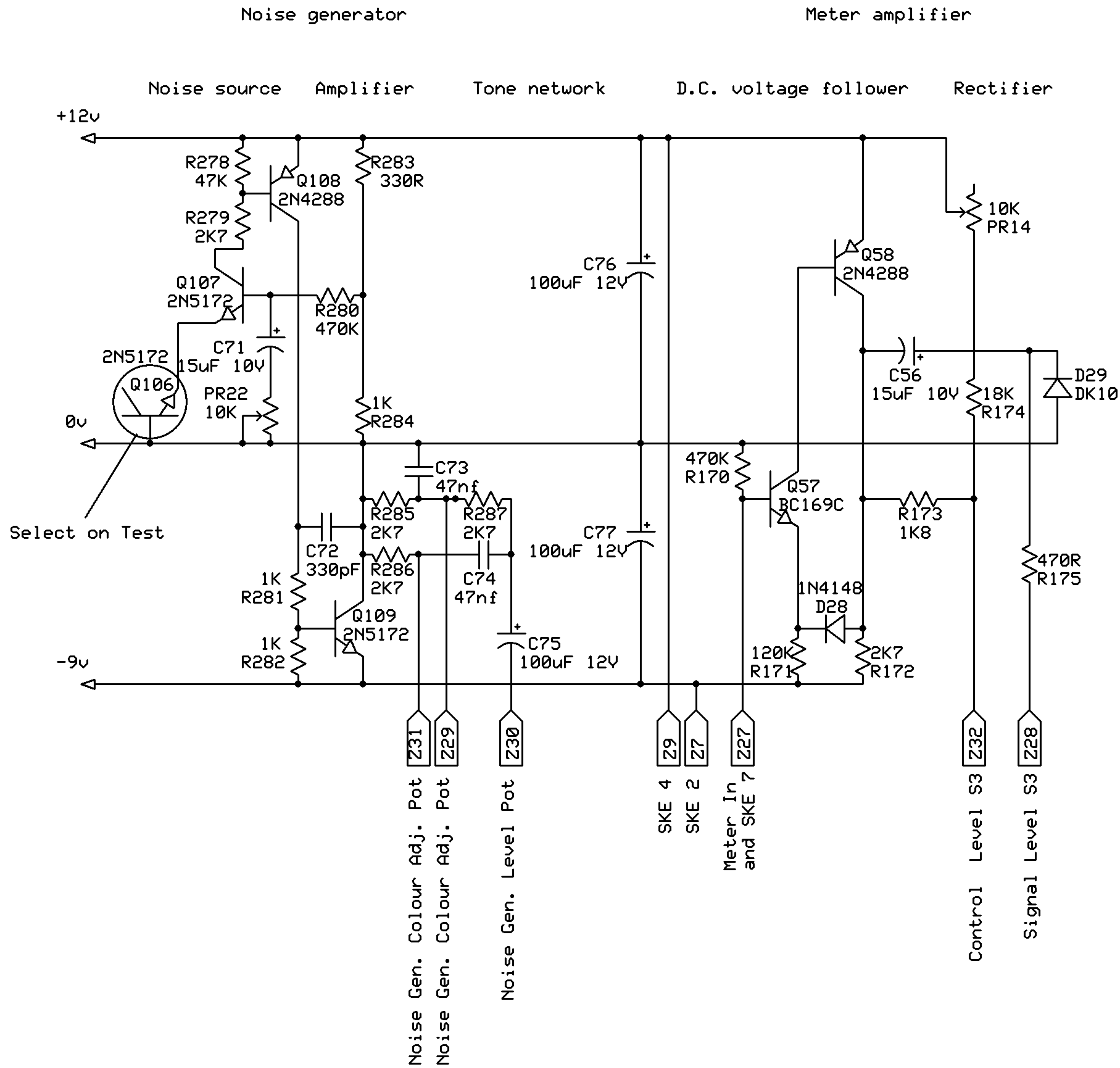


NOISE GENERATOR AND METER AMPLIFIER



Power connections Z25 = 0V, Z16, Z17, Z18 = -9V, Z19, Z20, Z21 = +12V

Sage Music Electronics

Noise and Meter Amplifier

Derek G Revell

Rev 1.0
25/11/2013

Page 4 OF 4