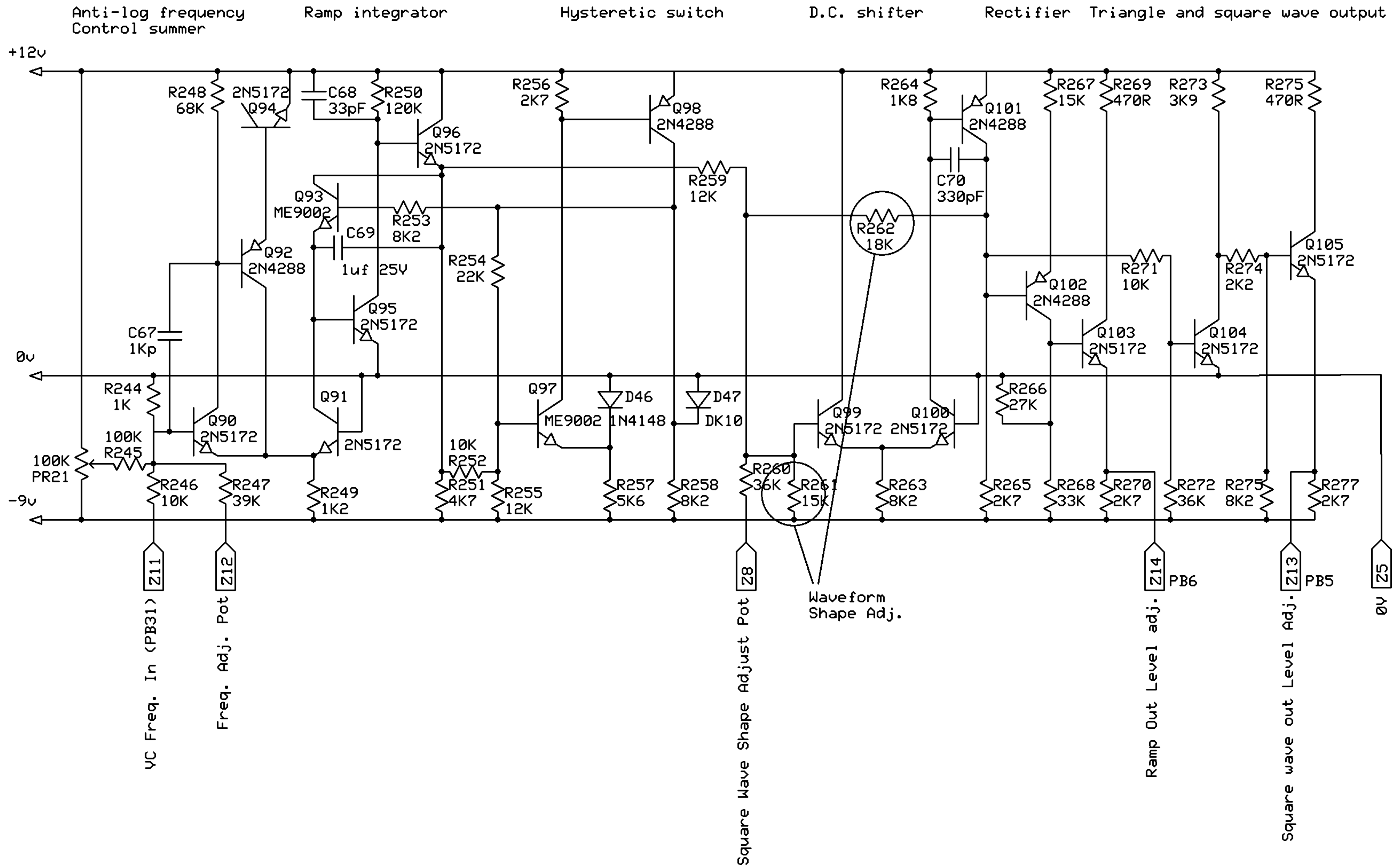


OSCILLATOR 3



Sage Music Electronics		
Oscillator 3		
Derek G Revell	Rev 1.1	Page 3 OF 4
	25/11/2013	

Power connections Z25 = 0V, Z16, Z17, Z18 = -9V, Z19, Z20, Z21 = +12V