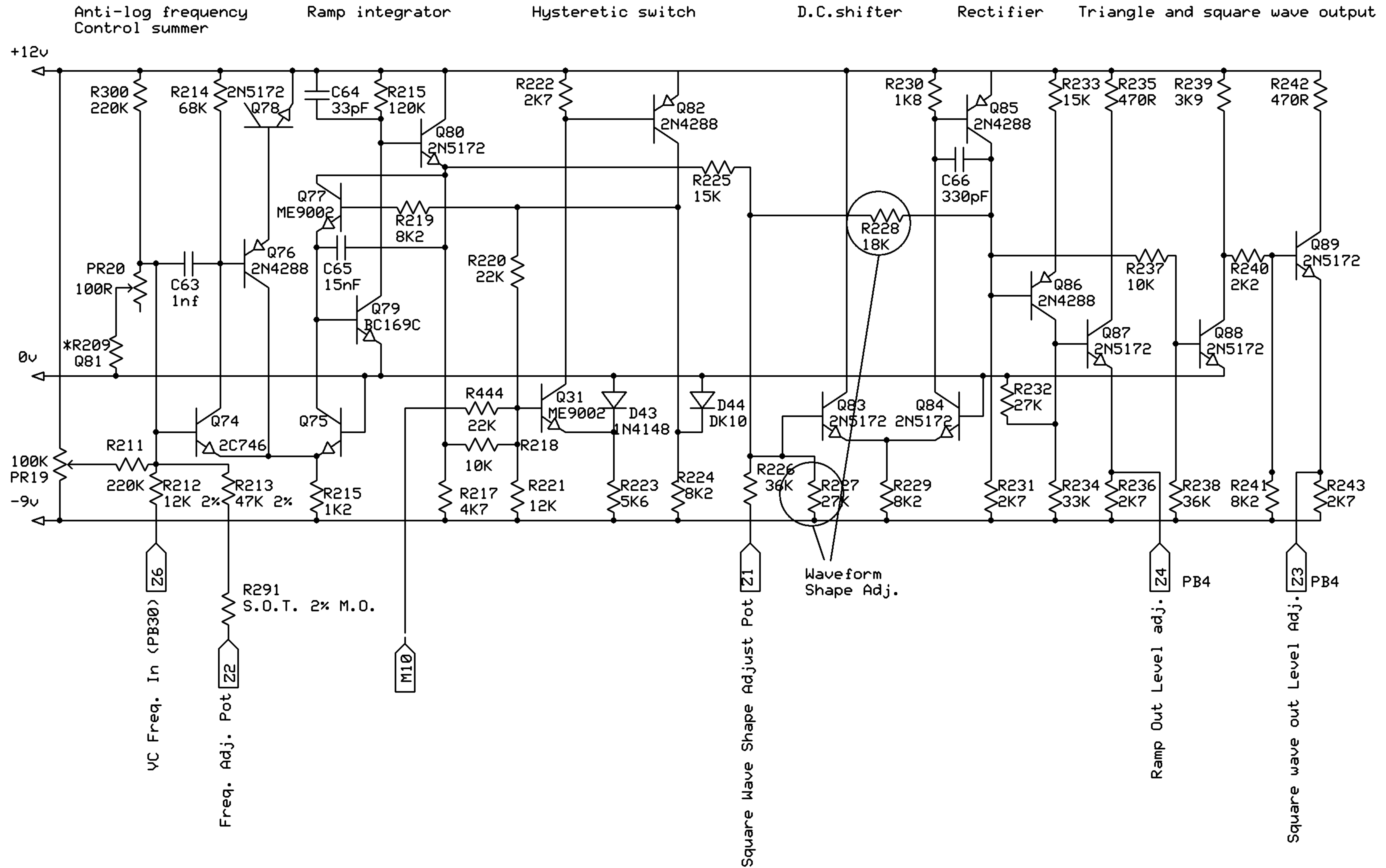


OSCILLATOR 2



Note R209 1K 2% should be a TEL LABS negative temp. co-efficient resistor

Sage Music Electronics
Oscillator 2

Please note that 0V connections are different for the Noise/Meter and Osc. 1 & 2
Power connections 225 = 0V, 216, 217, 218 = -9V, 219, 220, 221 = +12V