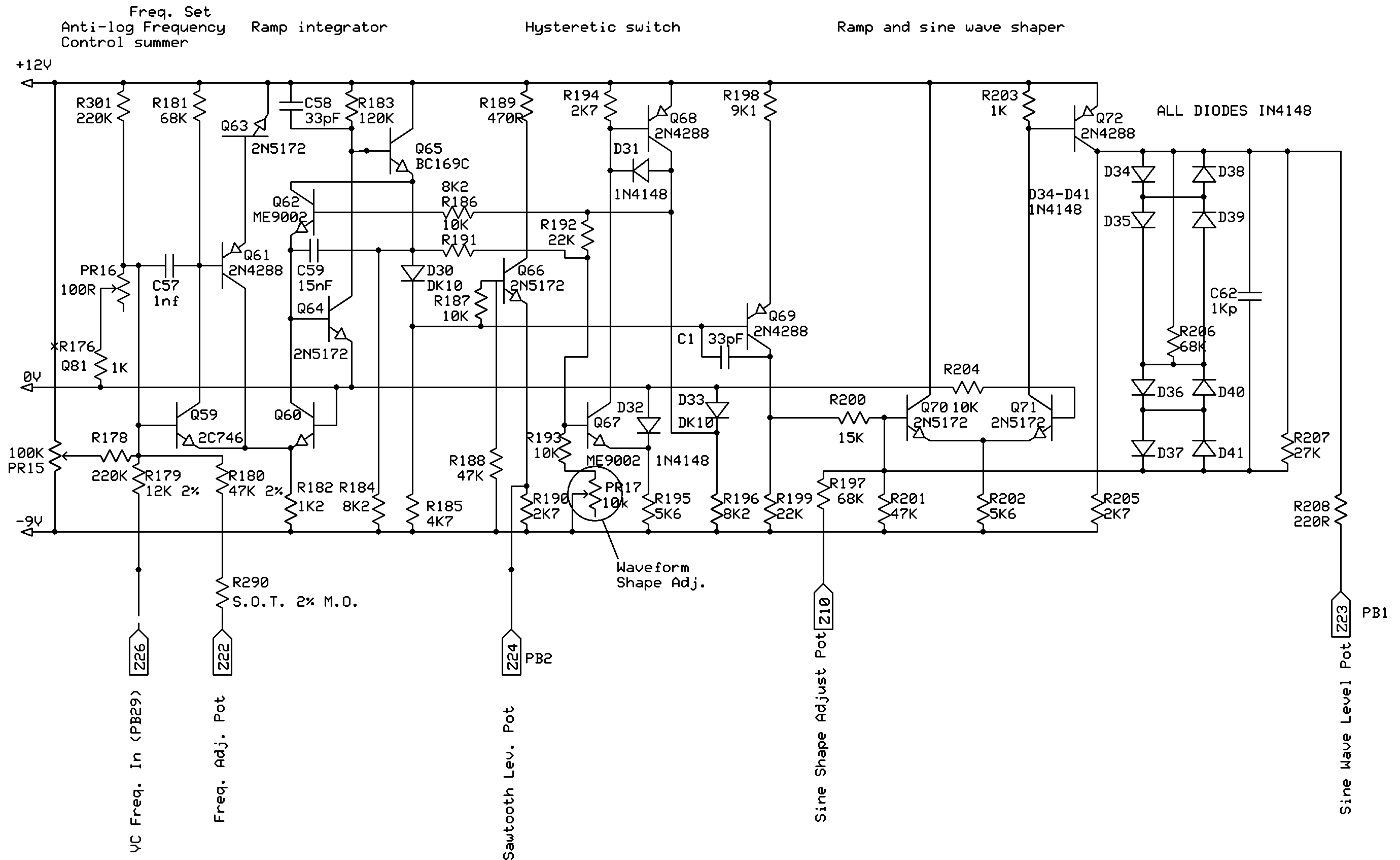


OSCILLATOR 1



Note R176 1K 2% should be a TEL LABS negative temp. co-efficient resistor  
 Power connections Z25 = 0V, Z16, Z17, Z18 = -9V, Z19, Z20, Z21 = +12V

<b>Sage Music Electronics</b>		
<b>Oscillator 1</b>		
Derek G. Revell	Rev 1.1	Page 1 OF 4
	25/11/2013	