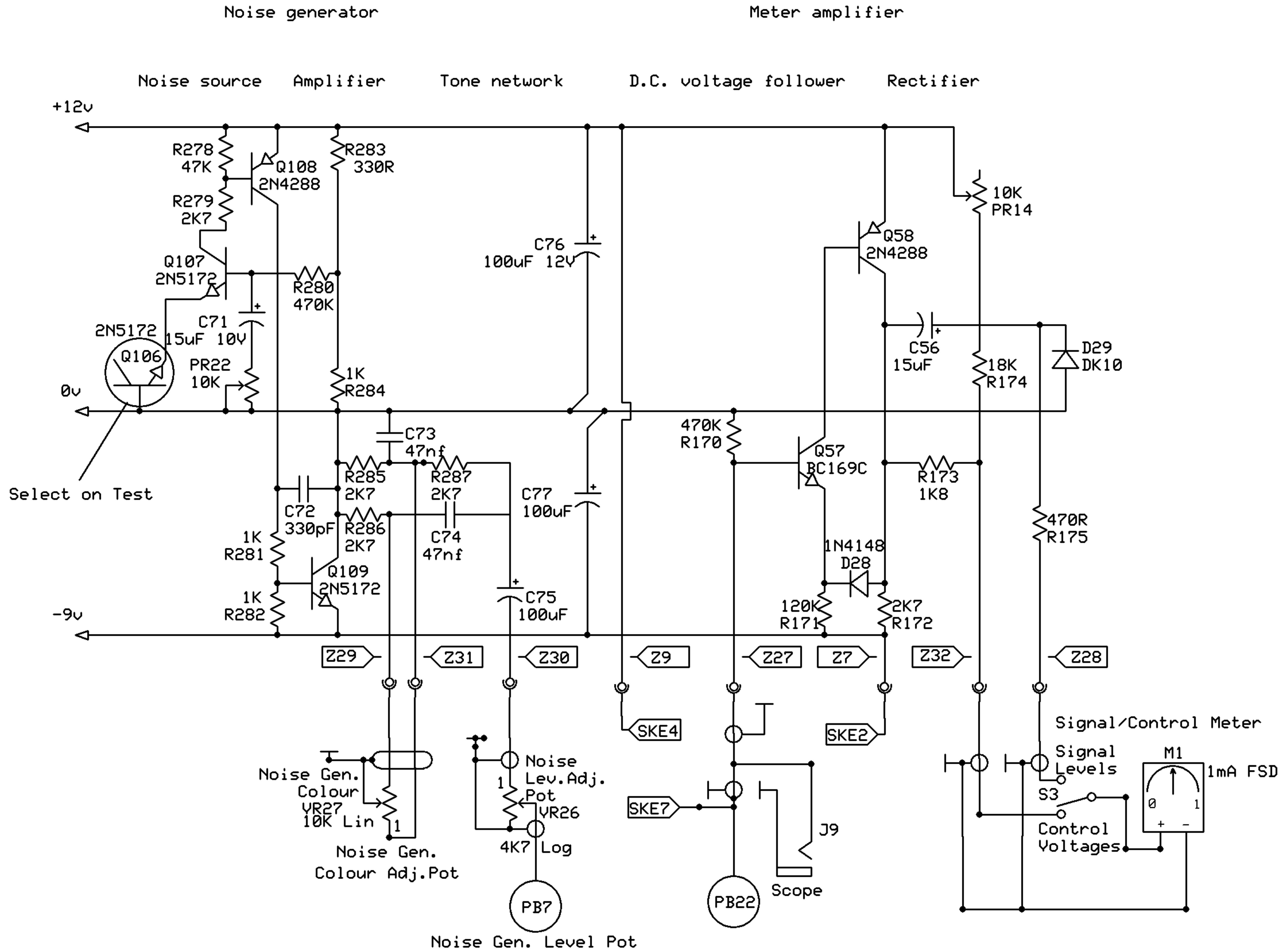
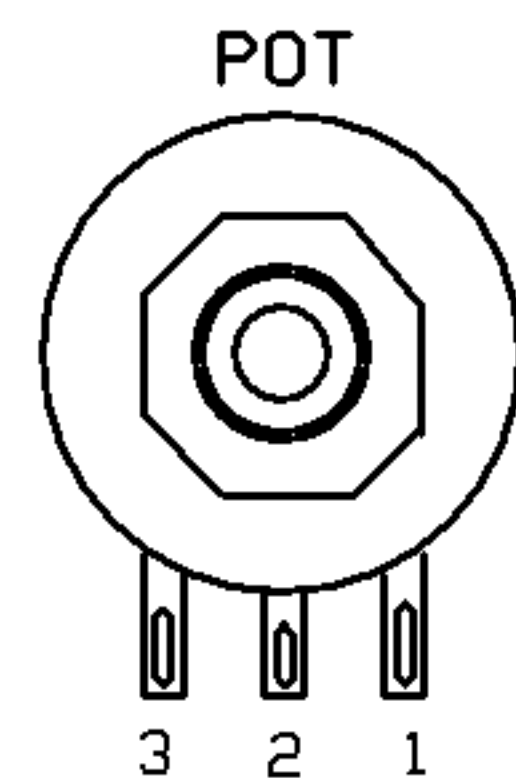


NOISE GENERATOR AND METER AMPLIFIER



Viewed from Front



Power connections 0V=25,215,225 -9V=216,217,218 +12V= 219,220,221

Sage Music Electronics

Noise and Meter Amplifier

Derek G Revell

Rev 1.1

15/01/2014

Page 4 OF 4