

OSCILLATOR 3

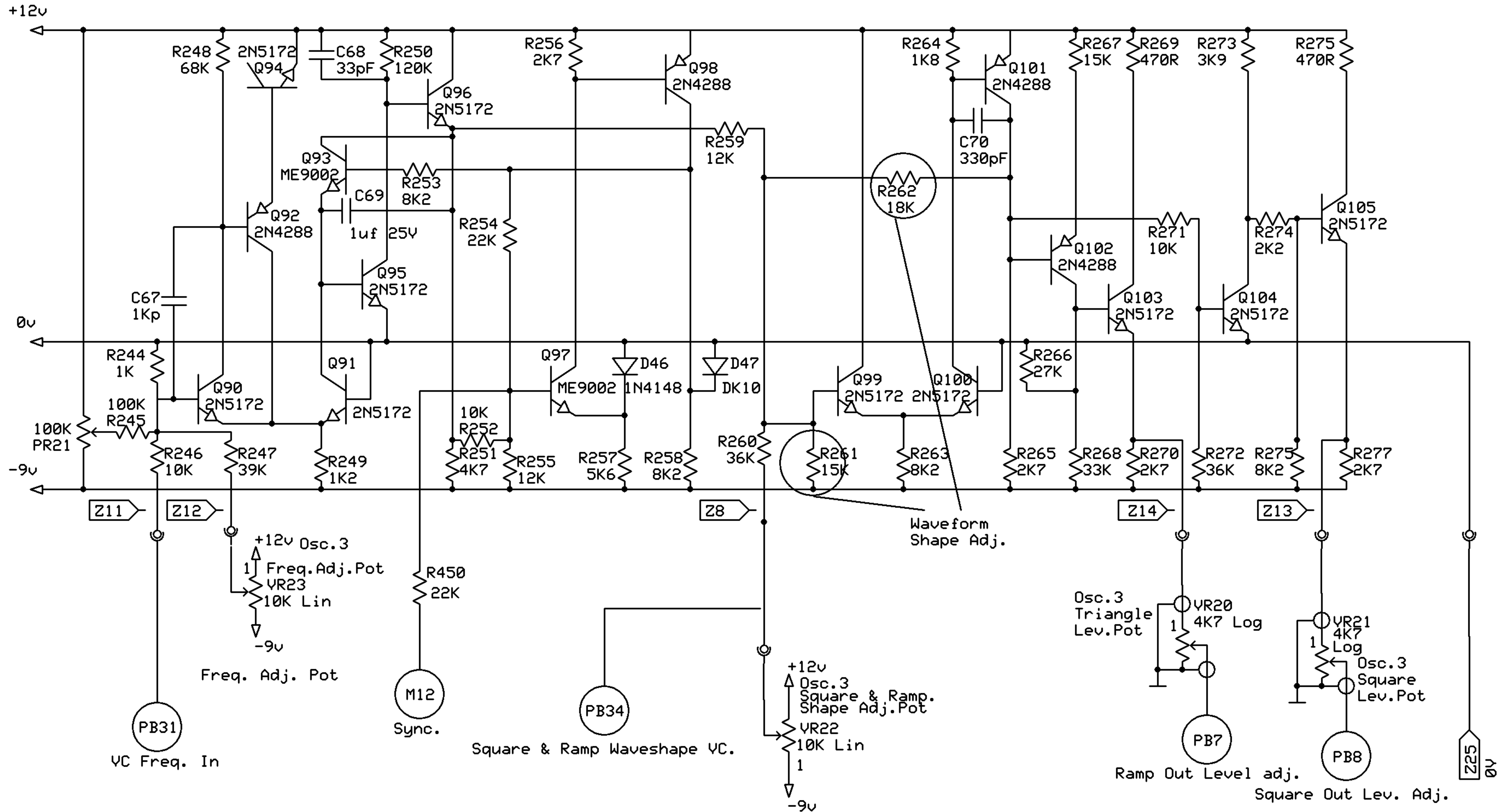
Anti-log frequency  
Control summer

Ramp integrator

Hysteretic switch

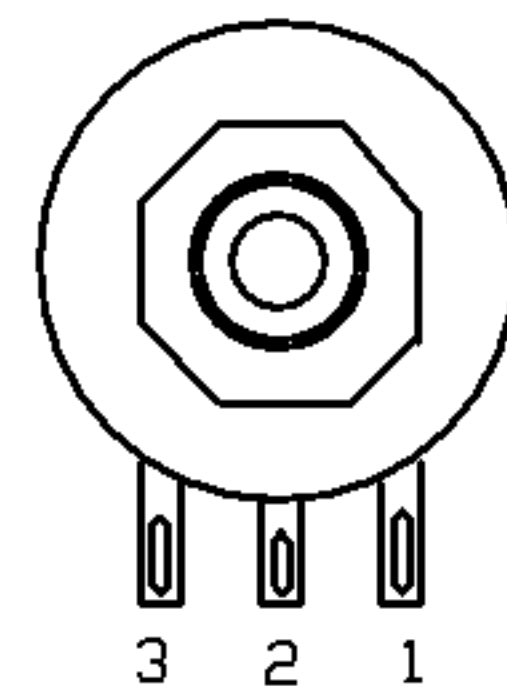
D.C. shifter

Rectifier Triangle and square wave output



Viewed from Front

POT



Power connections 0V=25,215,225 -9V=216,217,218 +12V= 219,220,221

Sage Music Electronics

Oscillator 3

Derek G Revell

Rev 1.3

26/04/2015

Page 3 OF 4