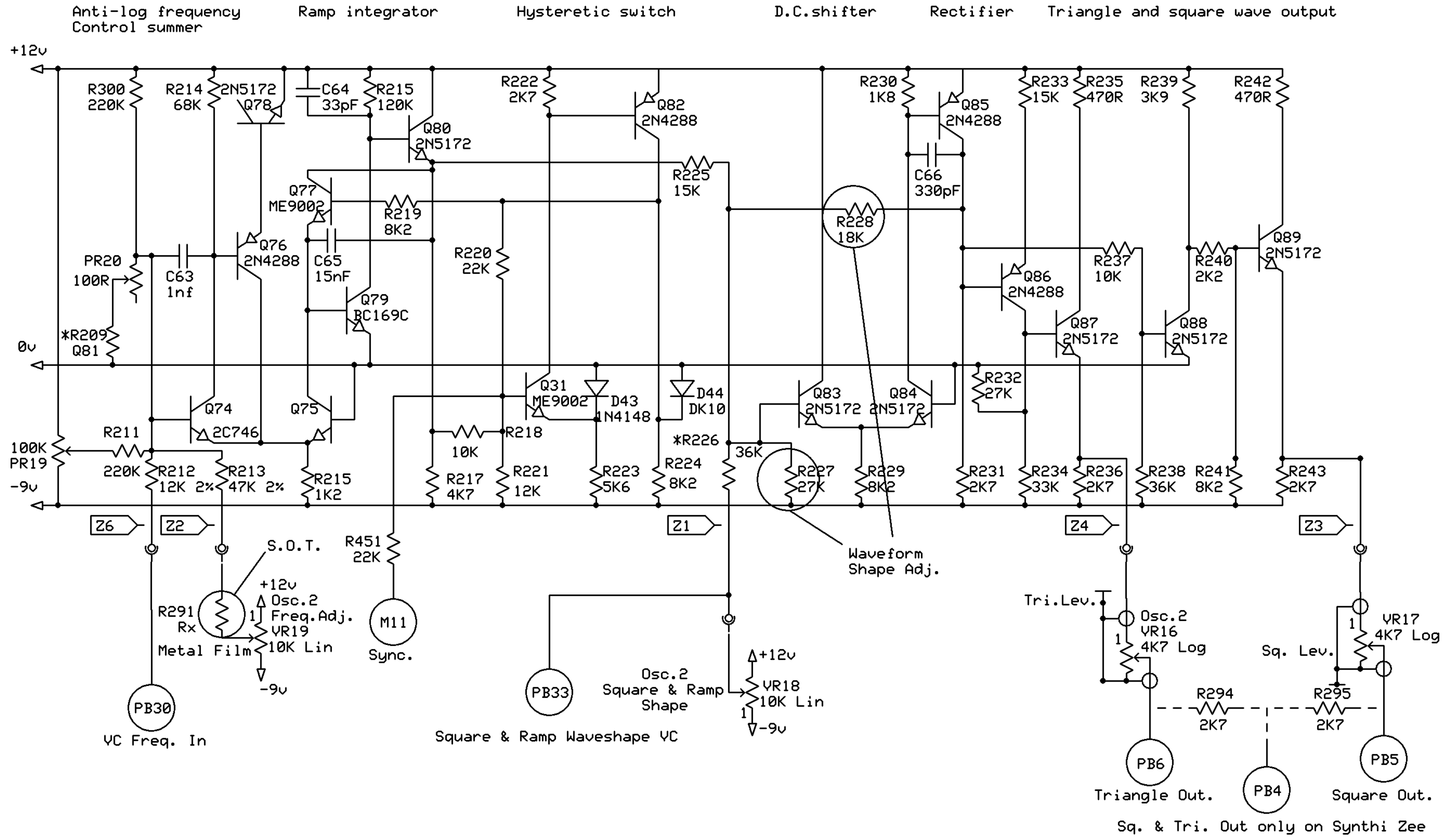
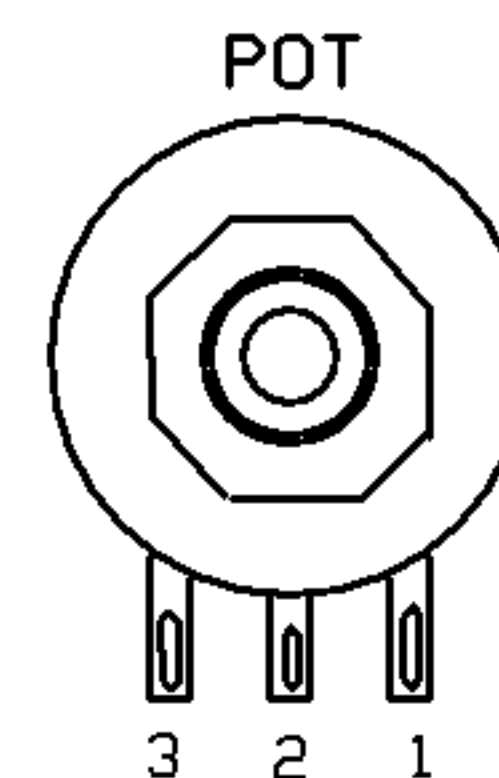


OSCILLATOR 2



Viewed from Front



Note R209 1K 2% should be a TEMPCO PTC resistor
 Power connections 0V=25,215,225 -9V=216,217,218 +12V= 219,220,221

Sage Music Electronics
 Oscillator 2

Derek G Revell

Rev 1.3

26/04/2015

Page 2 OF 4