

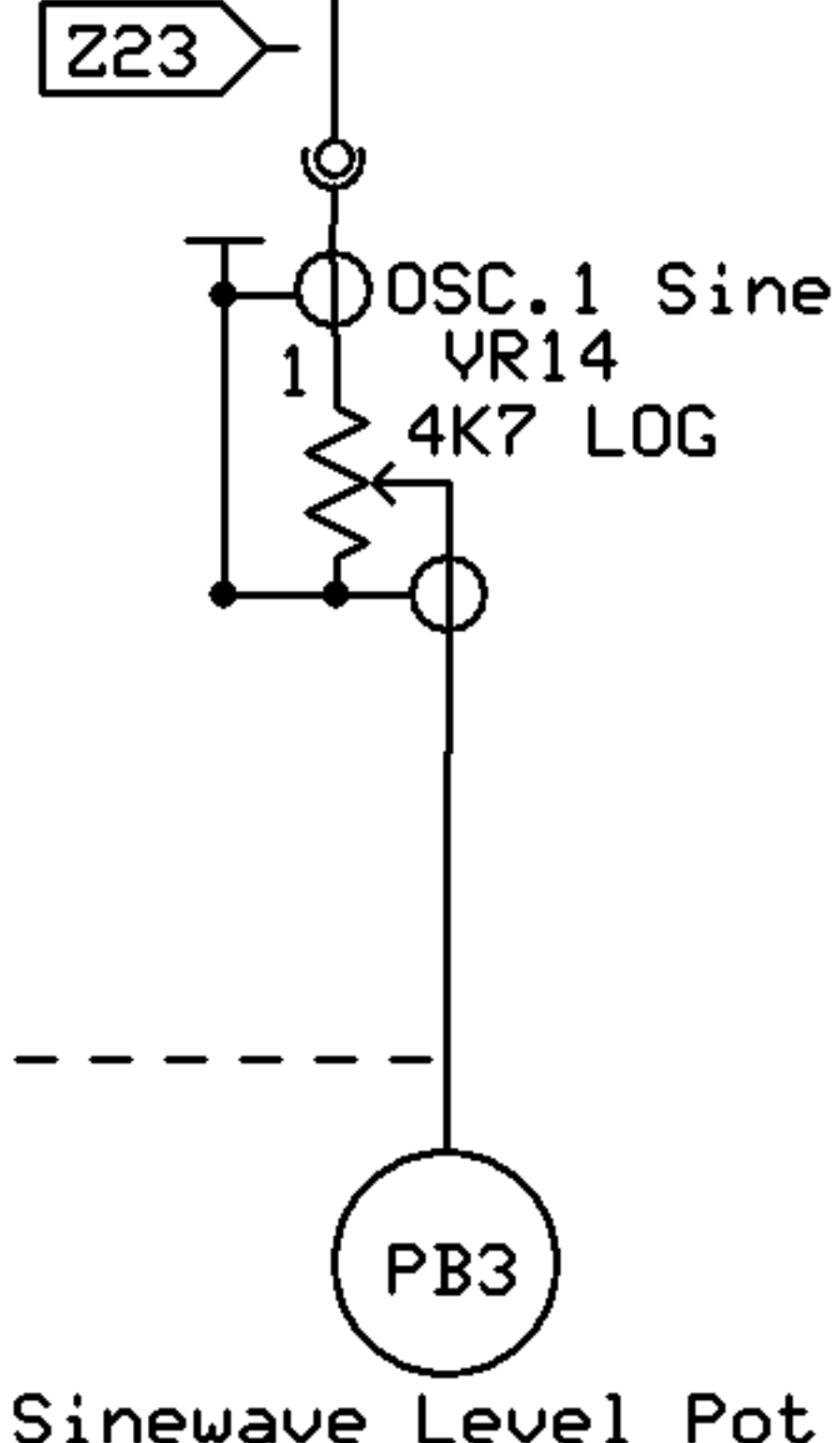
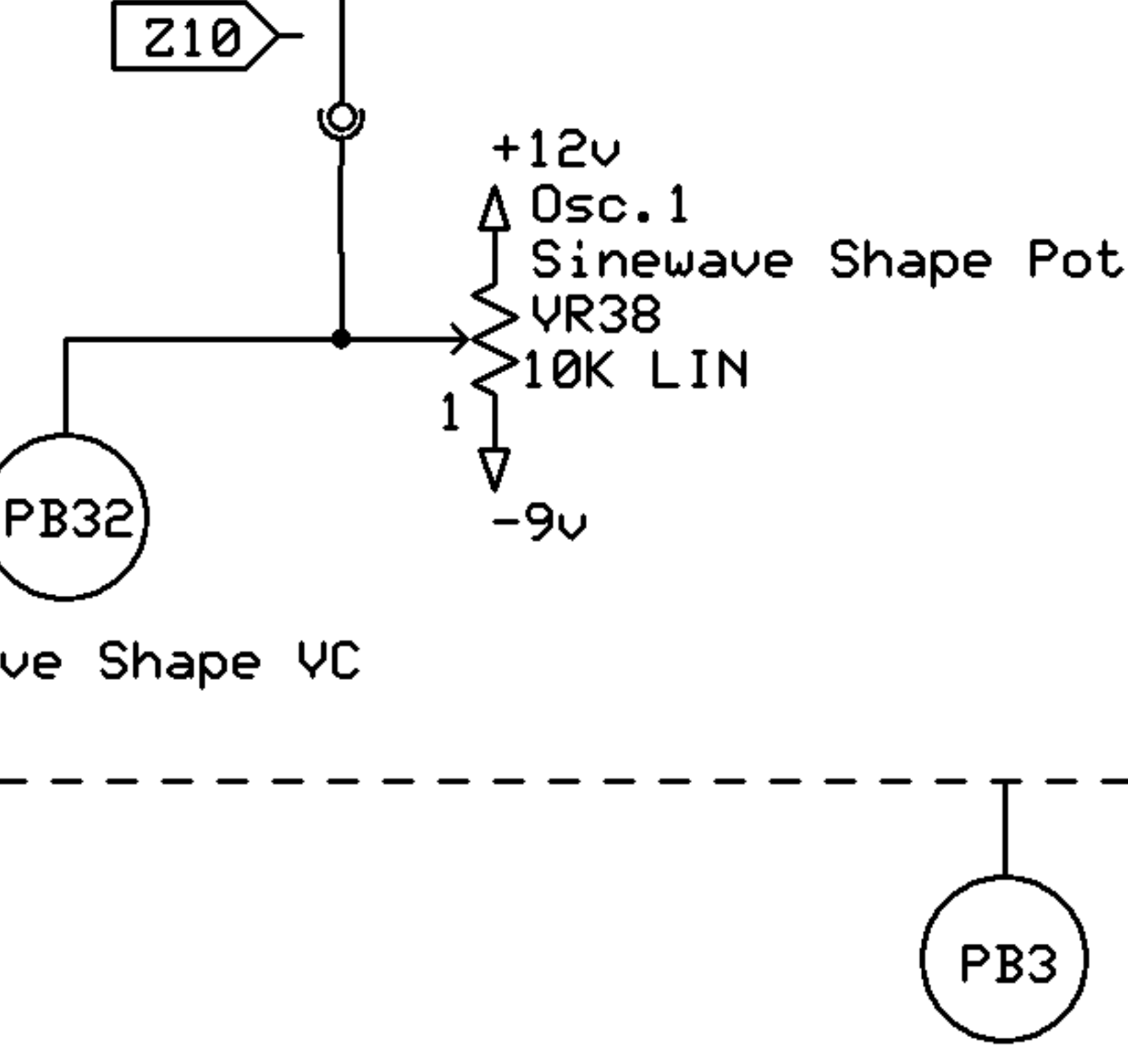
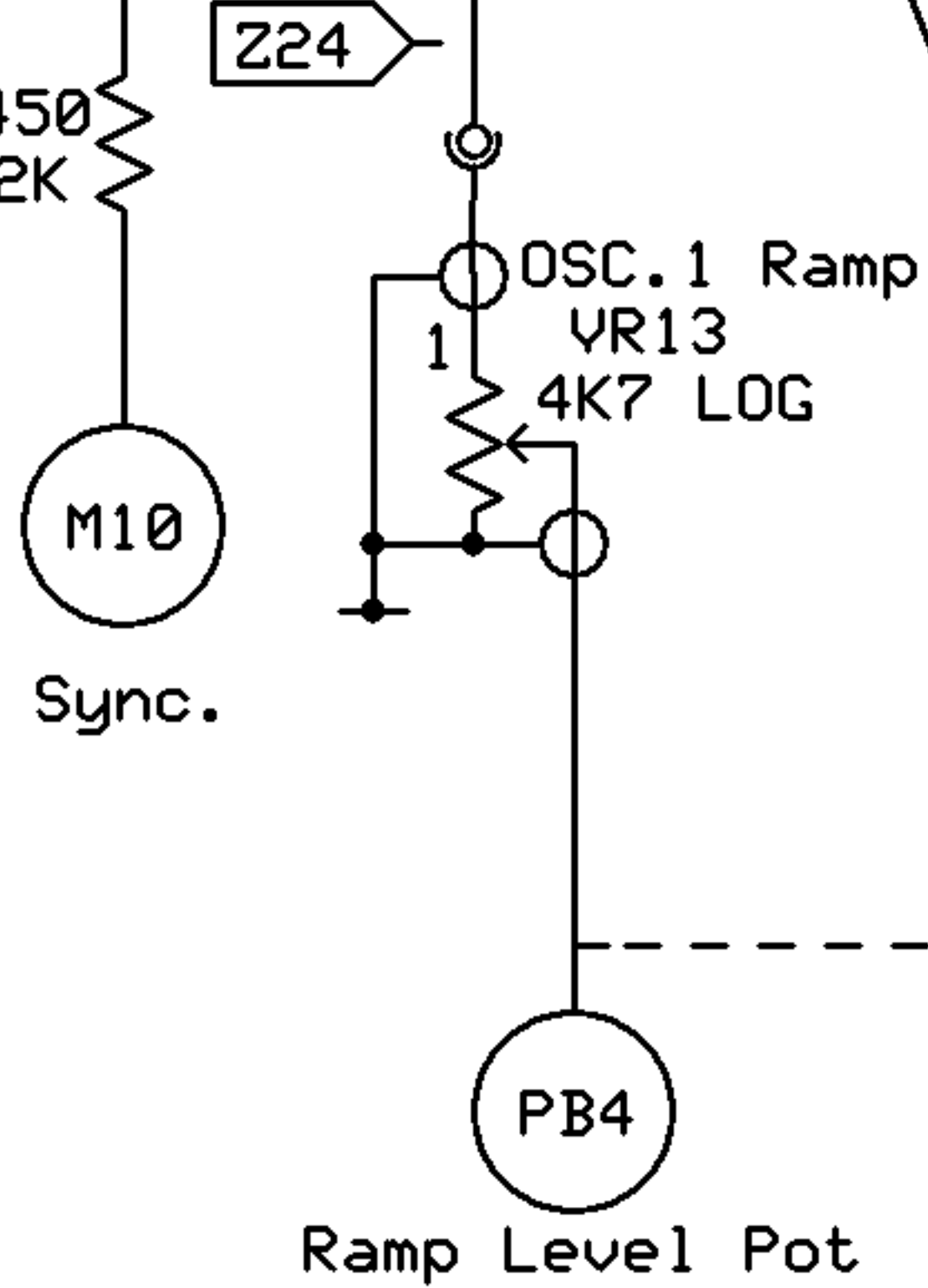
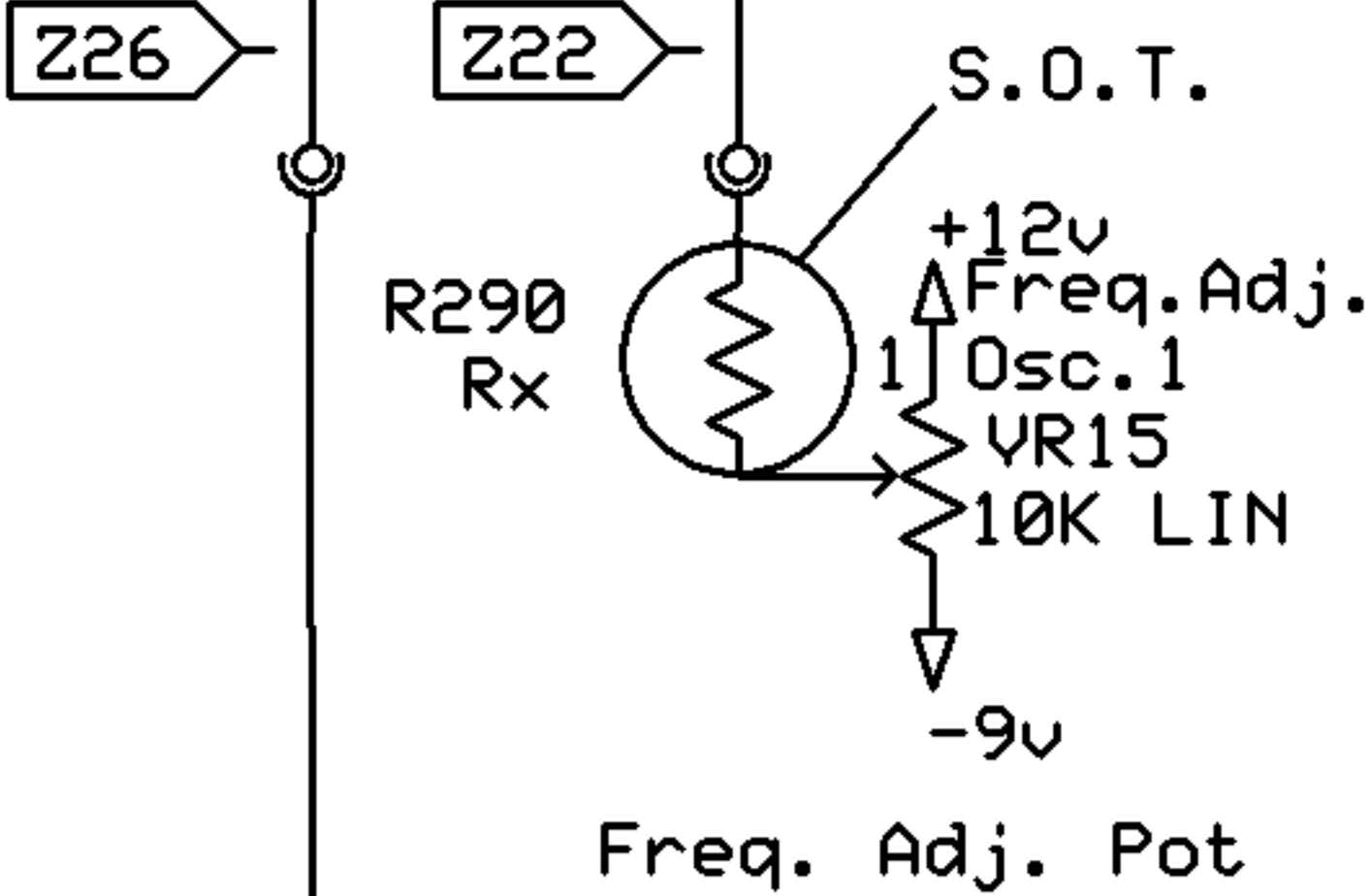
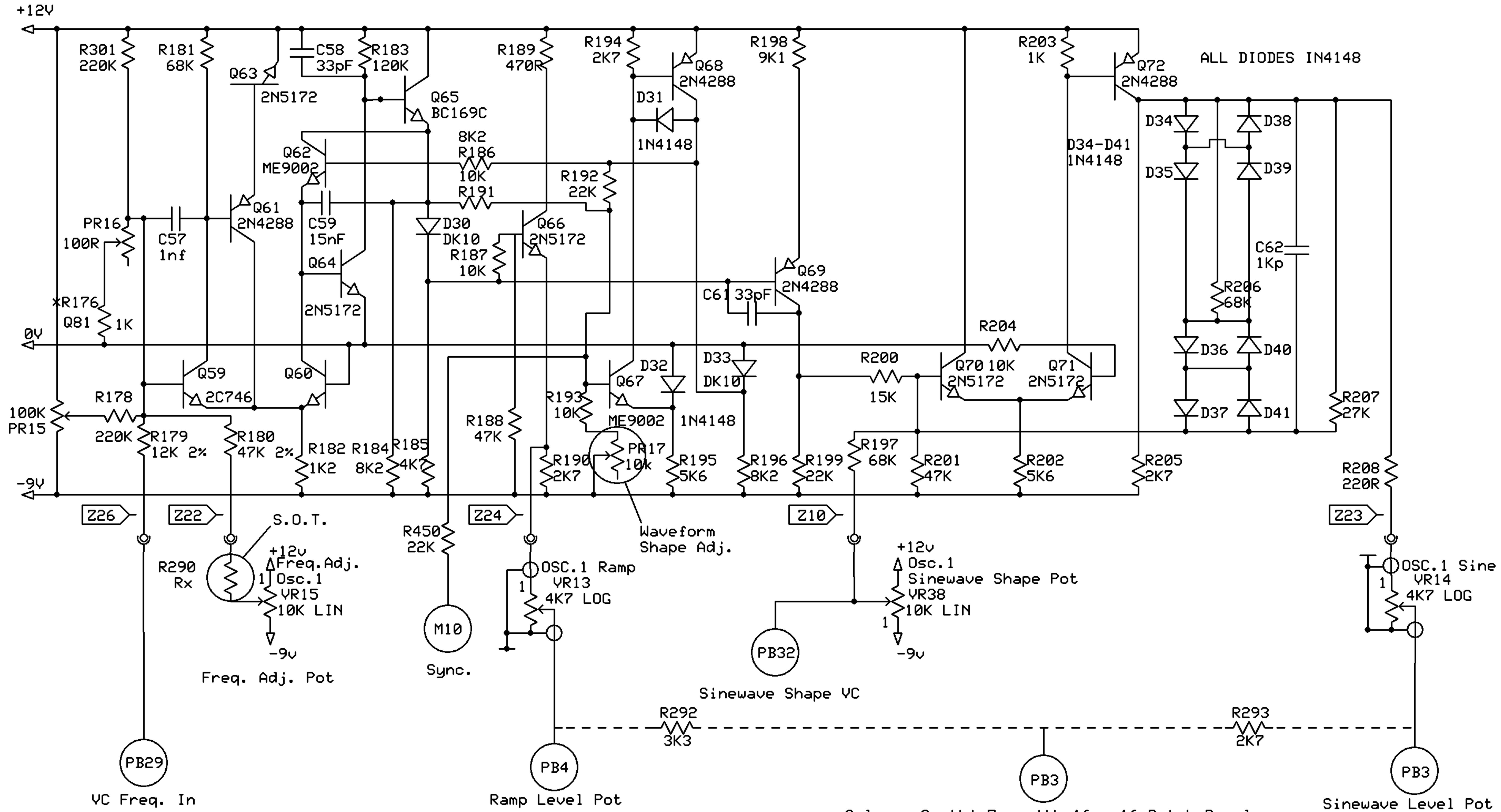
OSCILLATOR 1

Freq. Set
Anti-log Frequency
Control summer

Ramp integrator

Hysteretic switch

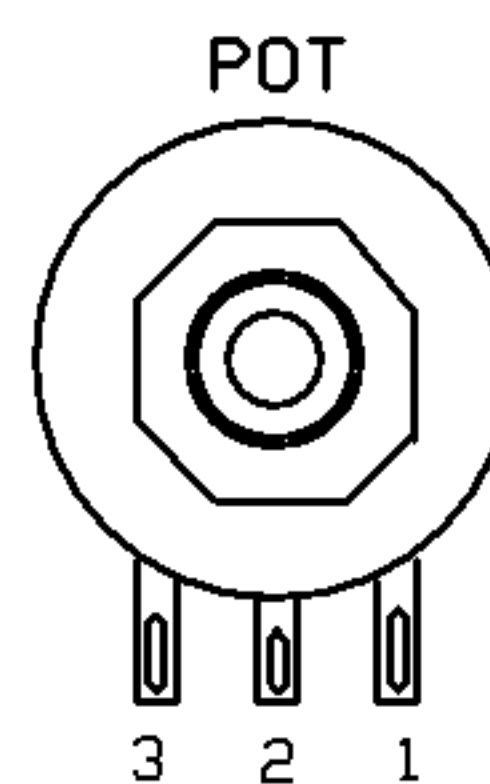
Ramp and sine wave shaper



Only on Synthi Zee with 16 x 16 Patch Panel

Note R176 1K 2% should be a TEMPCO temp. co-efficient resistor

Viewed from Front



Power connections 0V=25,215,225 -9V=216,217,218 +12V= 219,220,221

Sage Music Electronics		
Oscillator 1		
Derek G. Revell	Rev 1.4	Page 1 OF 4
	26/04/2015	