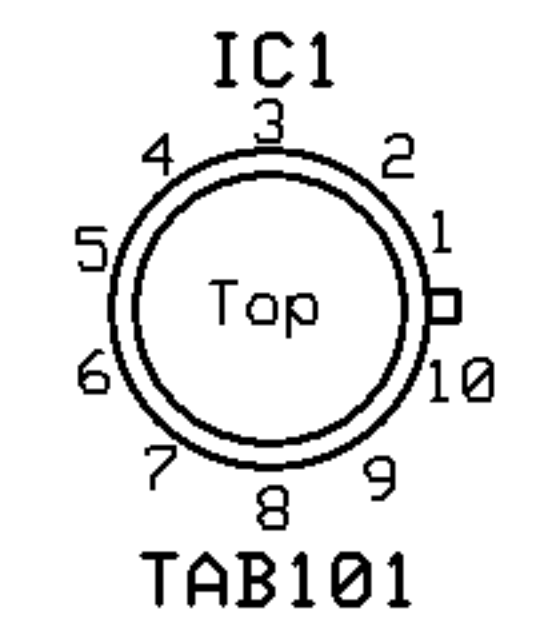
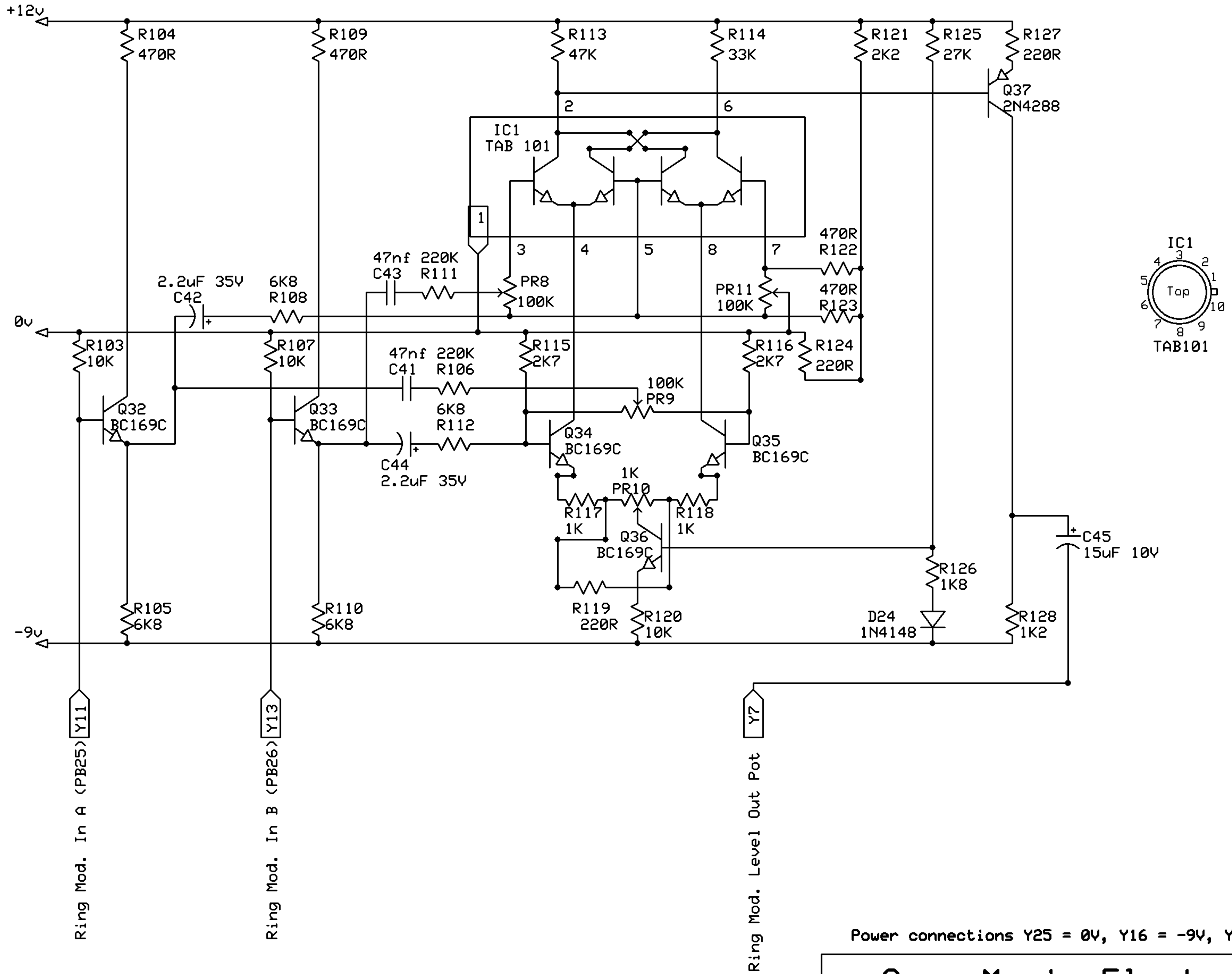


RING MODULATOR

Double balanced modulator



Power connections Y25 = 0V, Y16 = -9V, Y18 = +12V

Sage Music Electronics
Ring Modulator