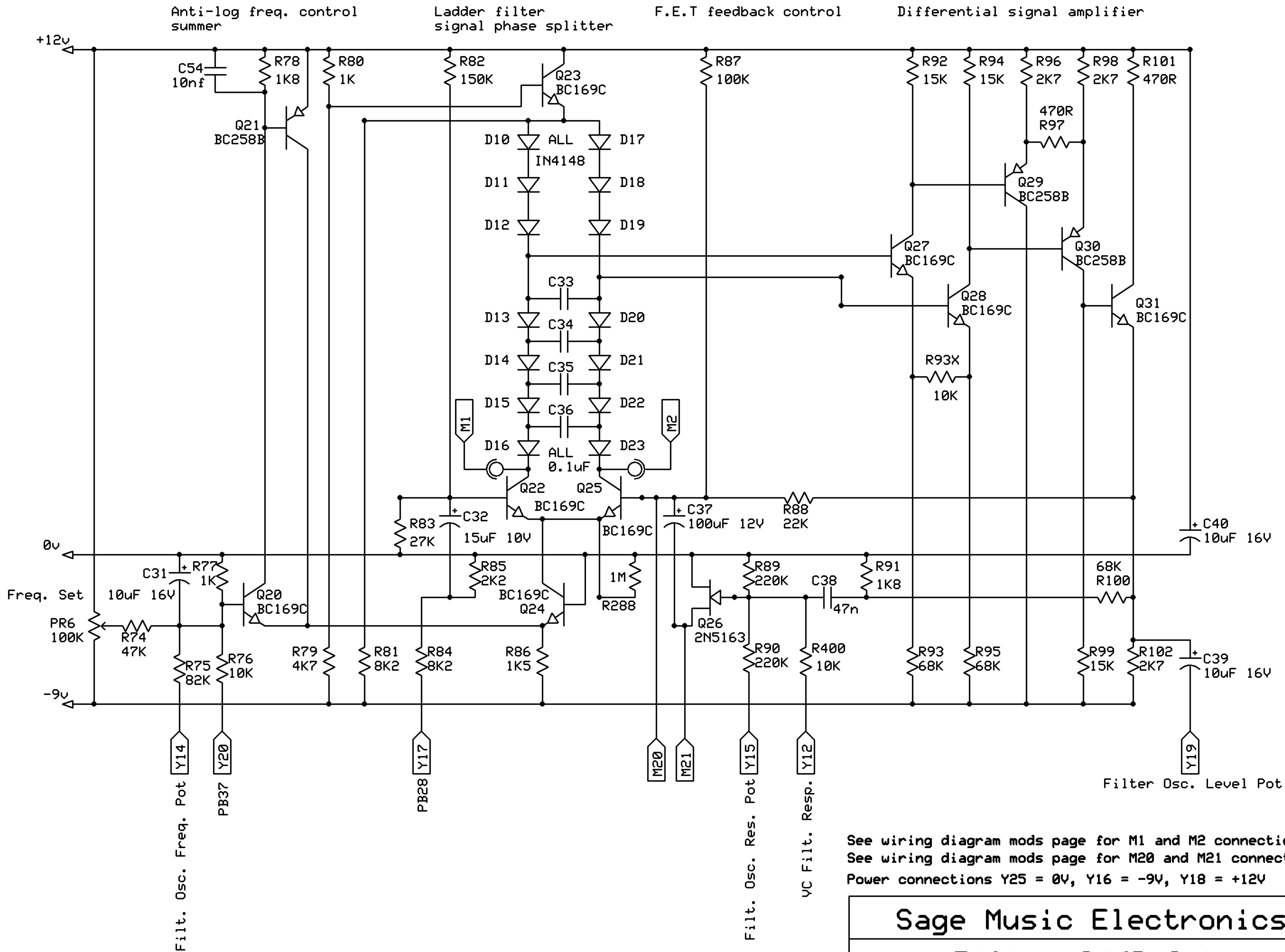


# FILTER



See wiring diagram mods page for M1 and M2 connections  
 See wiring diagram mods page for M20 and M21 connections  
 Power connections Y25 = 0V, Y16 = -9V, Y18 = +12V

**Sage Music Electronics**  
**Filter 24dB/Oct**