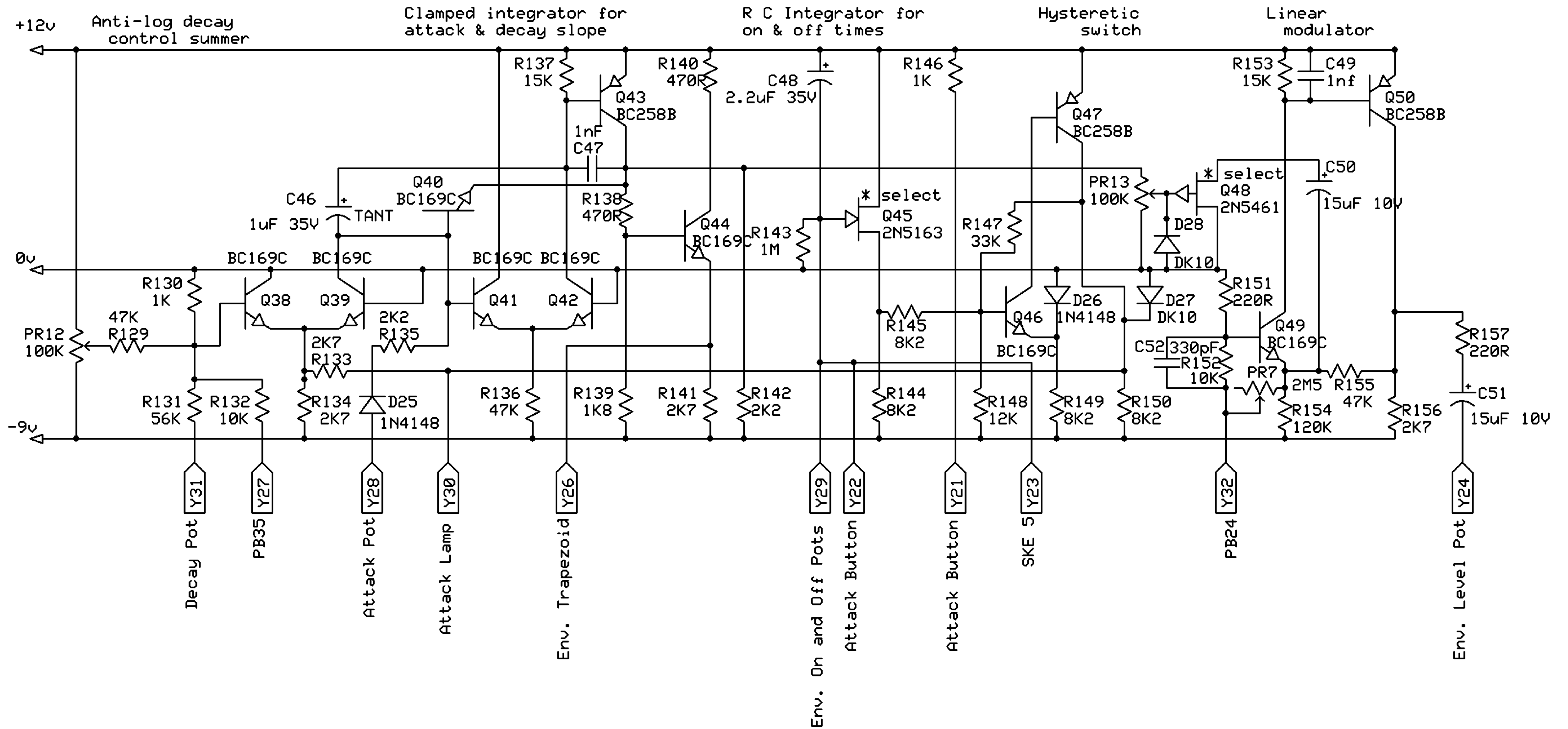


ENVELOPE SHAPER



Q45 = 3.5 - 4.0 V or > 1.5 adjust R143
 Q48 = 2.5 - 3.0 V

Power connections Y25 = 0V, Y16 = -9V, Y18 = +12V

Sage Music Electronics

Envelope Shaper

Derek G Revell

Rev 1.2

25/11/2013

Page 1 OF 4