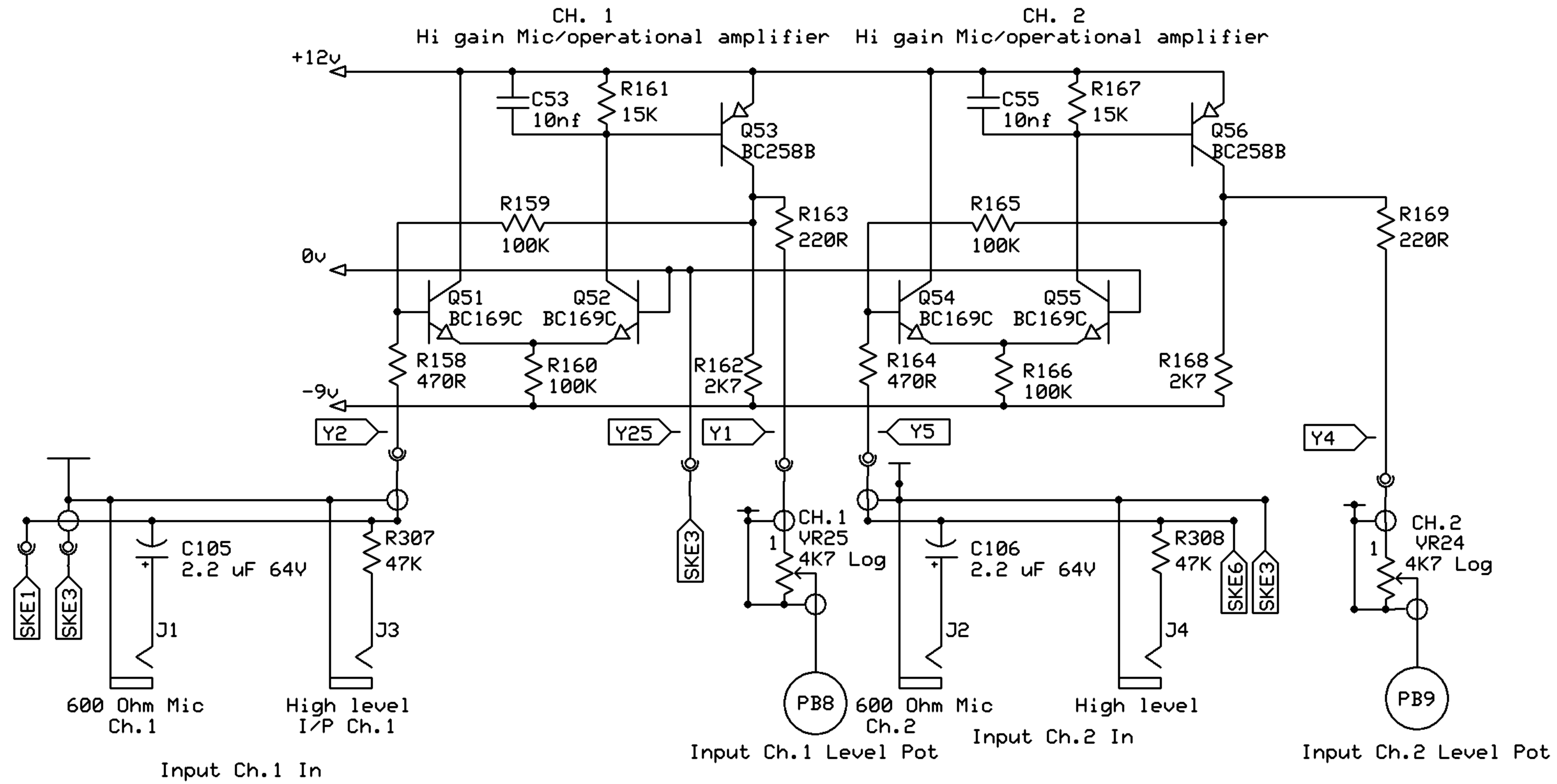
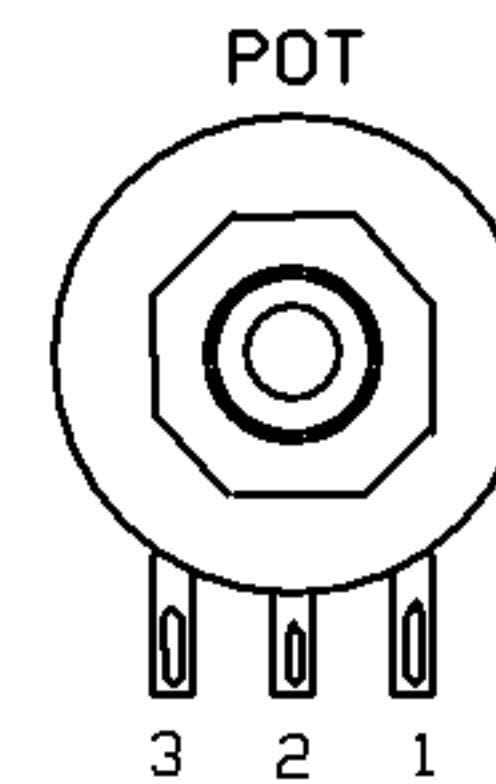


# INPUT CHANNEL AMPLIFIERS



Viewed from Front



Power connections Y25 = 0V, Y16 = -9V, Y18 = +12V

<b>Sage Music Electronics</b>		
<b>Input Channel Amplifiers</b>		
Derek G Revell	Rev 1.2	Page 4 OF 4
	12/01/2014	