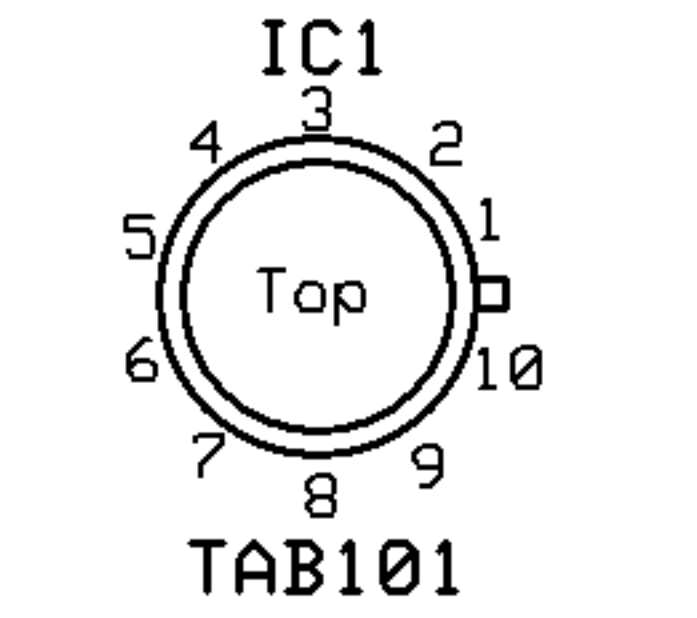
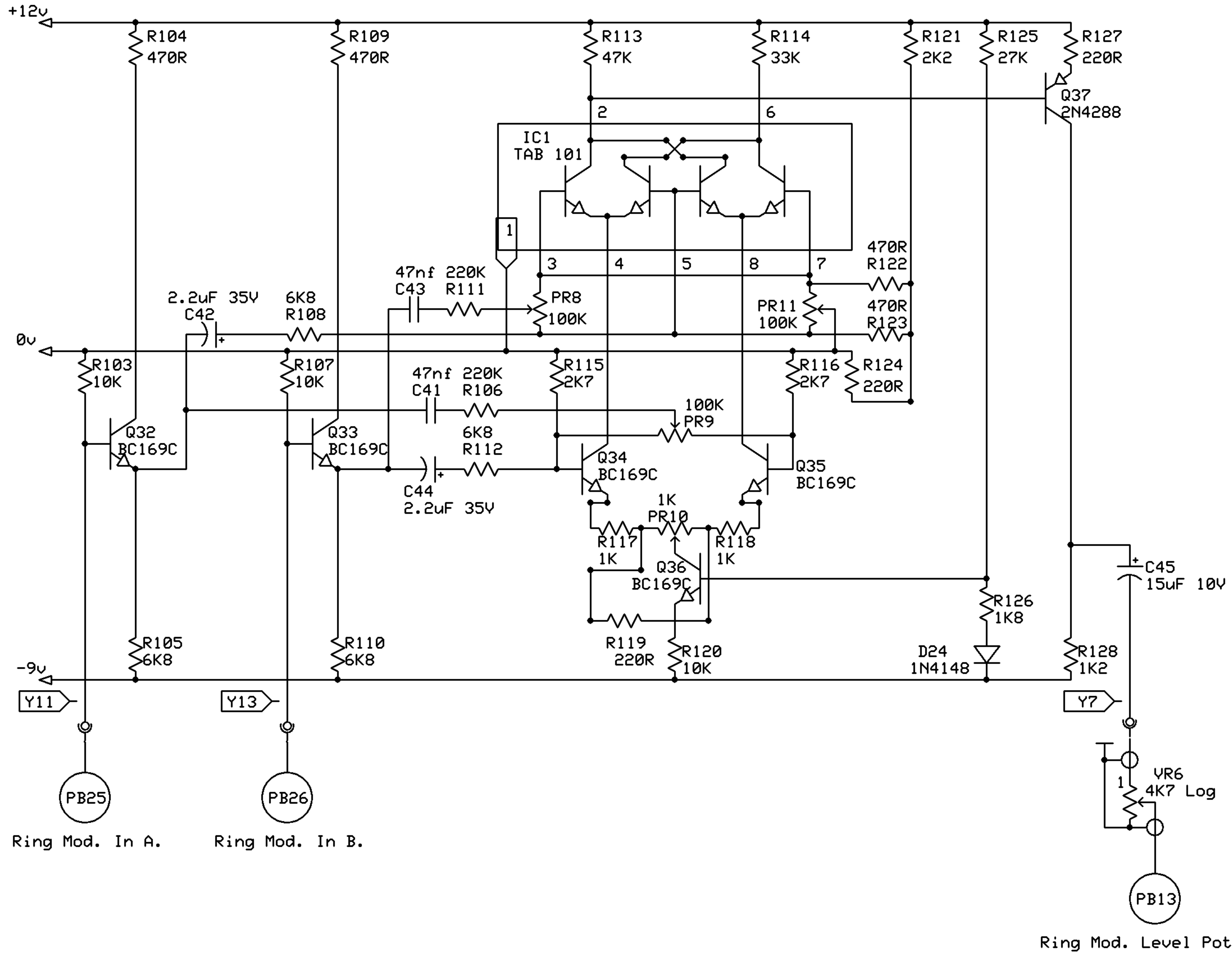
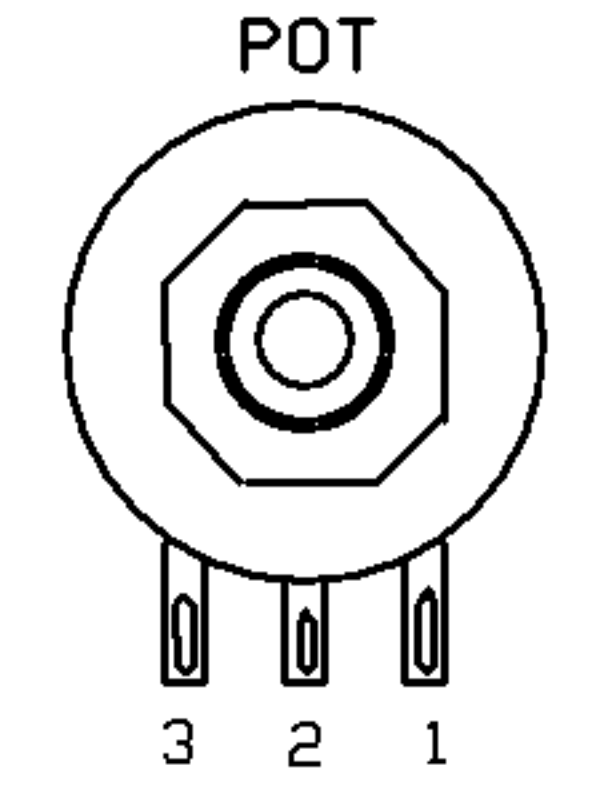


# RING MODULATOR

Double balanced modulator



Viewed from Front



Power connections Y25 = 0V, Y16 = -9V, Y18 = +12V

Sage Music Electronics

Ring Modulator

Derek G Revell

Rev 1.3

12/01/2014

Page 3 OF 4