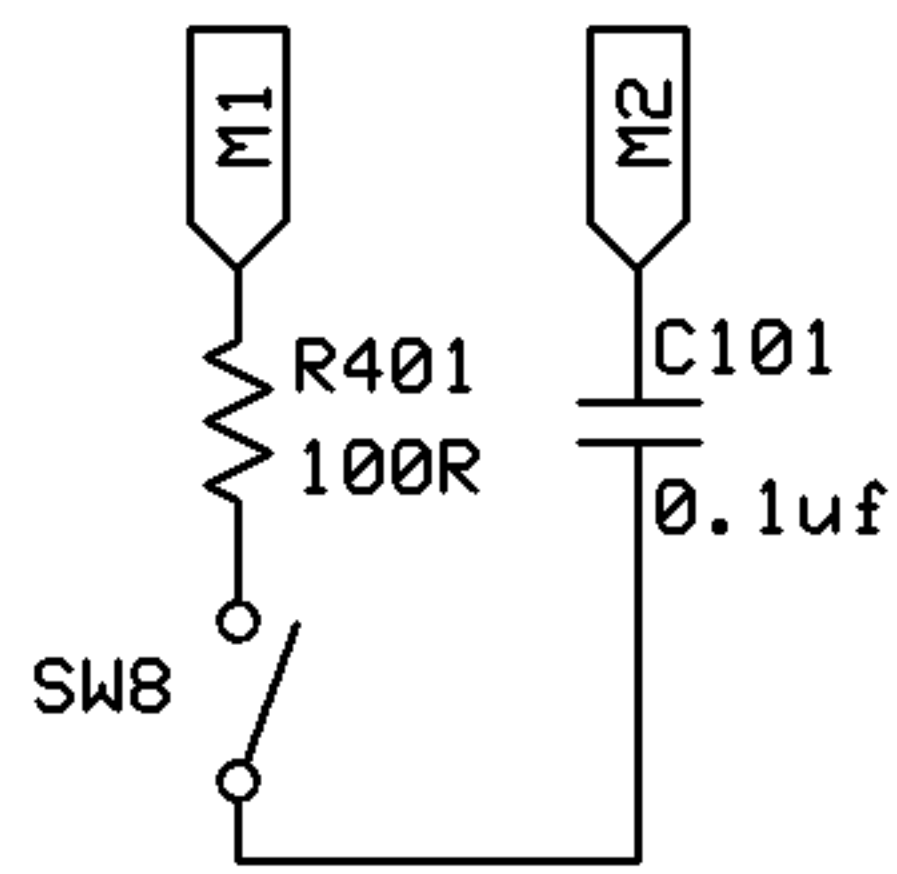
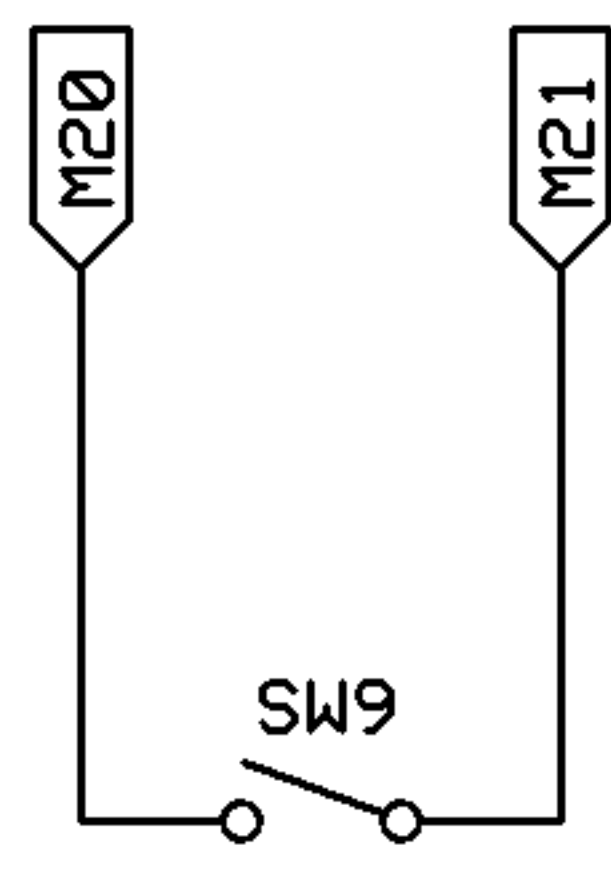


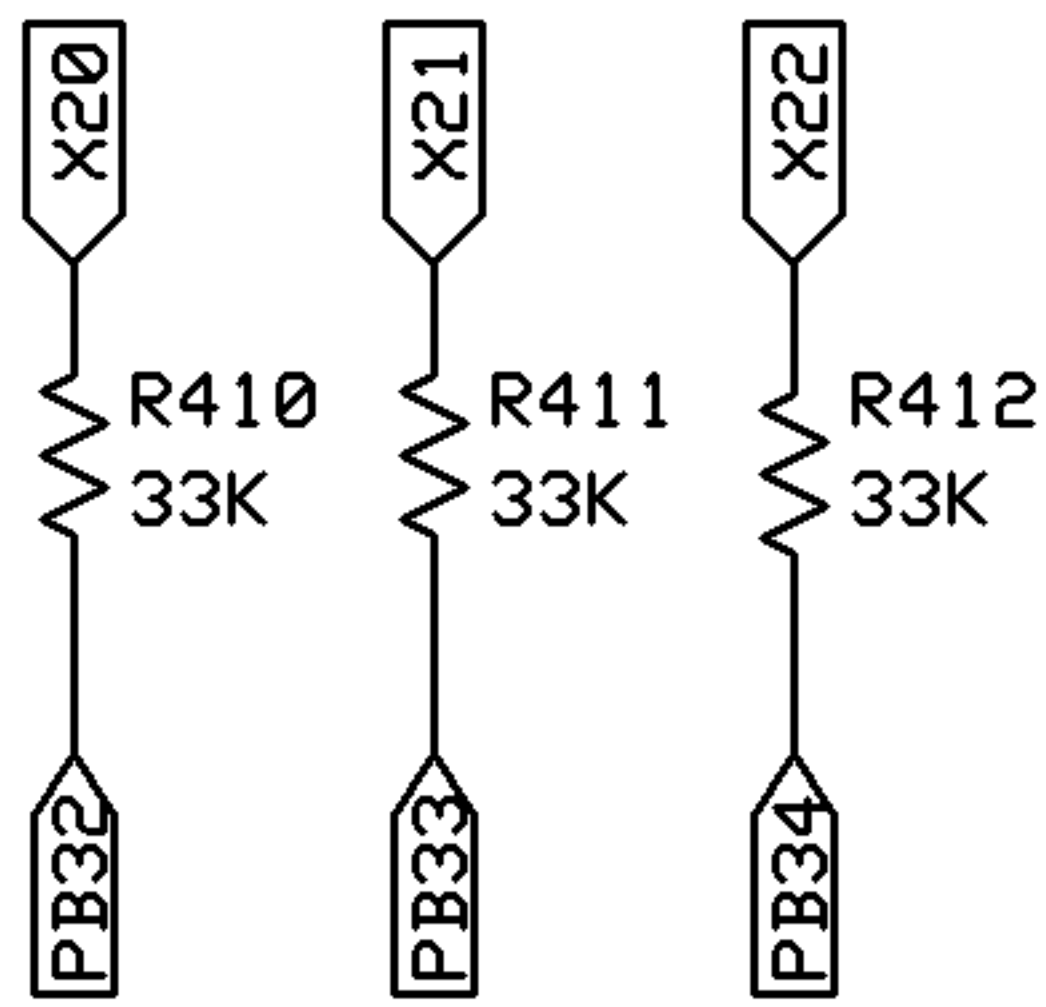
**Filter Mod  
Slope Change  
24dB/30dB Filter Slope**



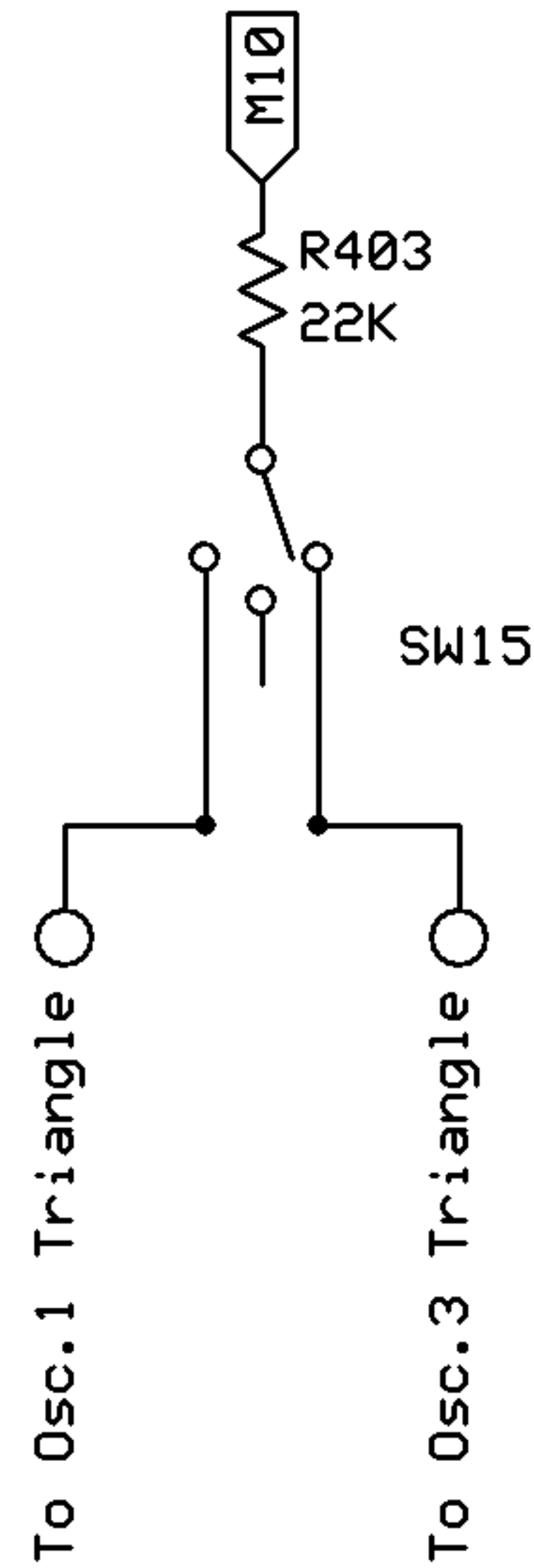
**Filter Mod  
Slew/Unslew**



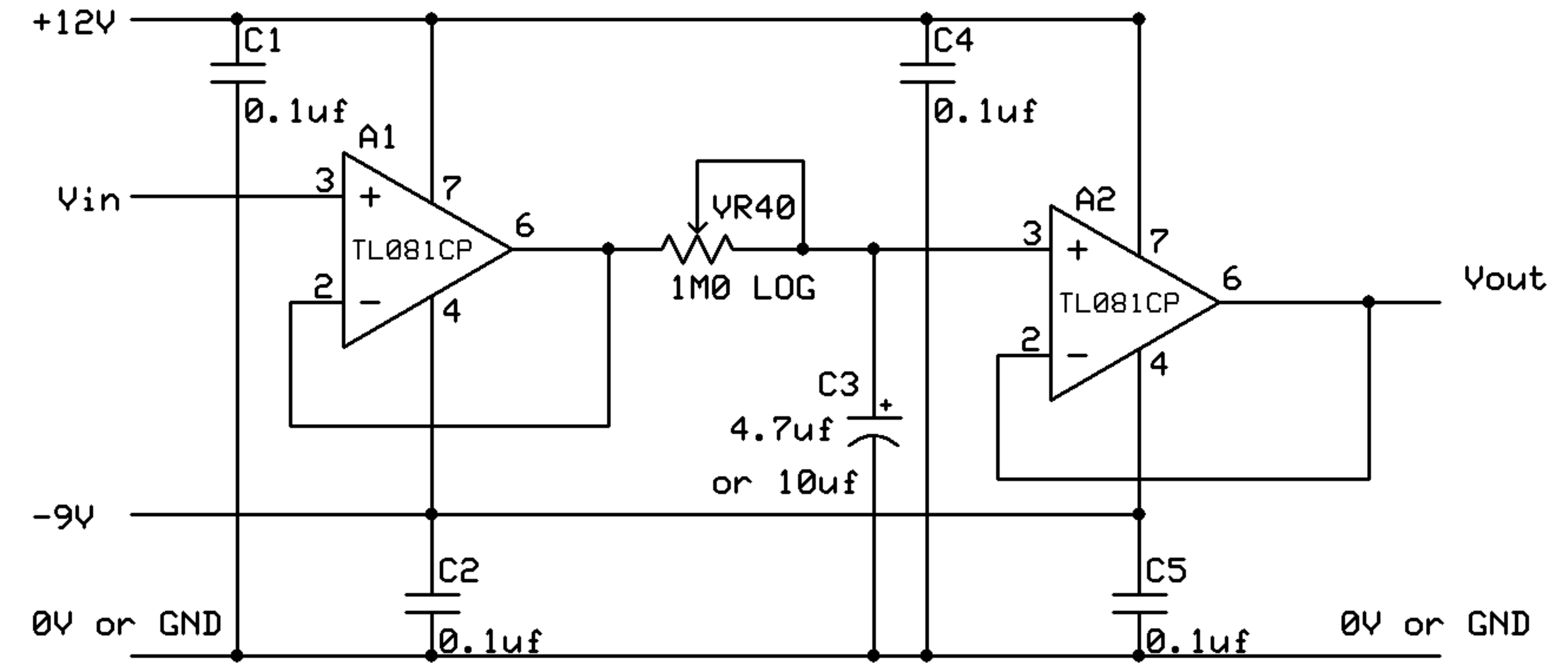
**V.C. Waveshape**



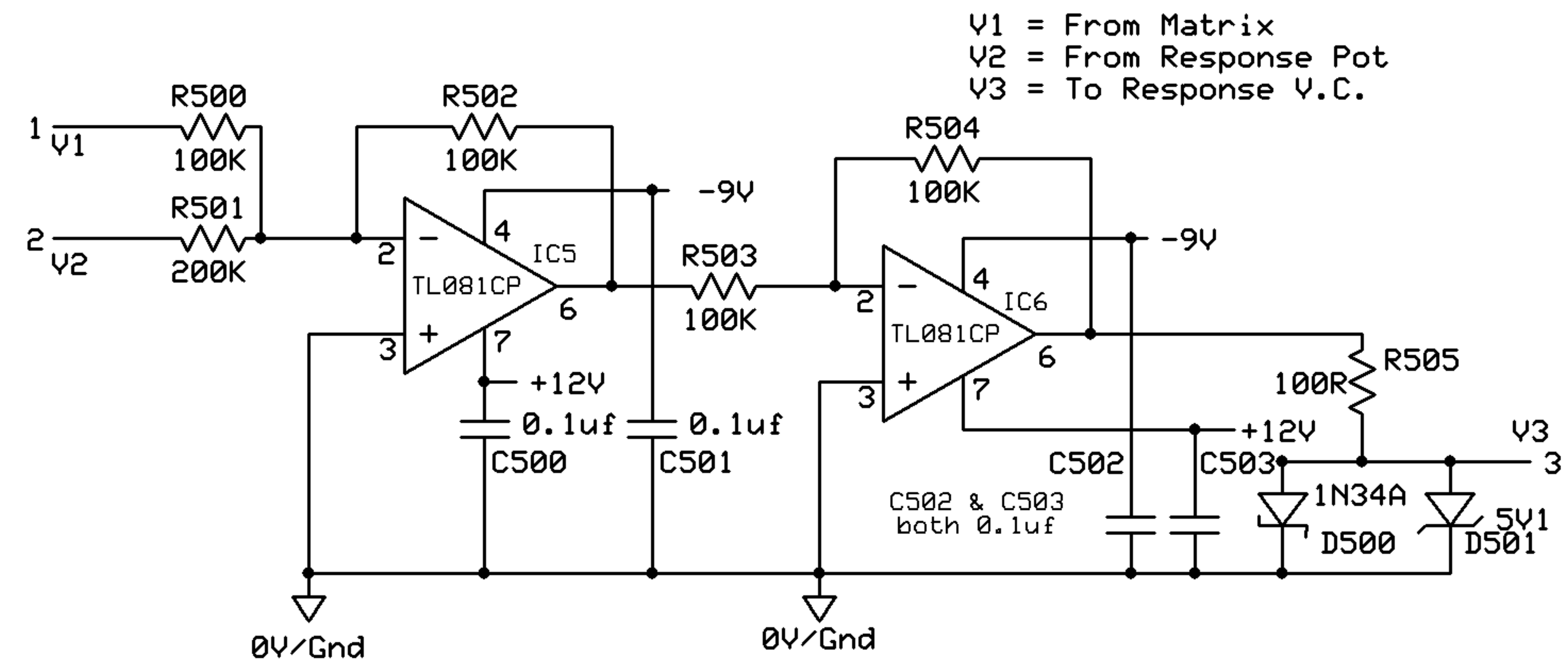
**Osc. 2 Sync.**



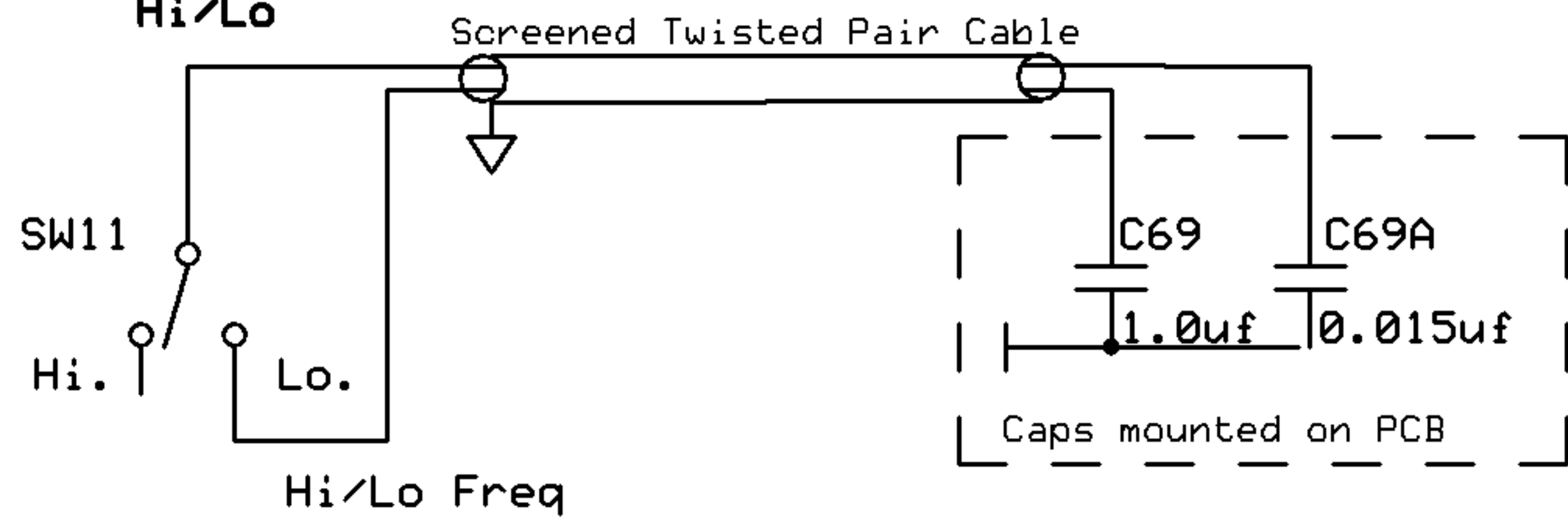
**Portamento/Glissando Circuit**



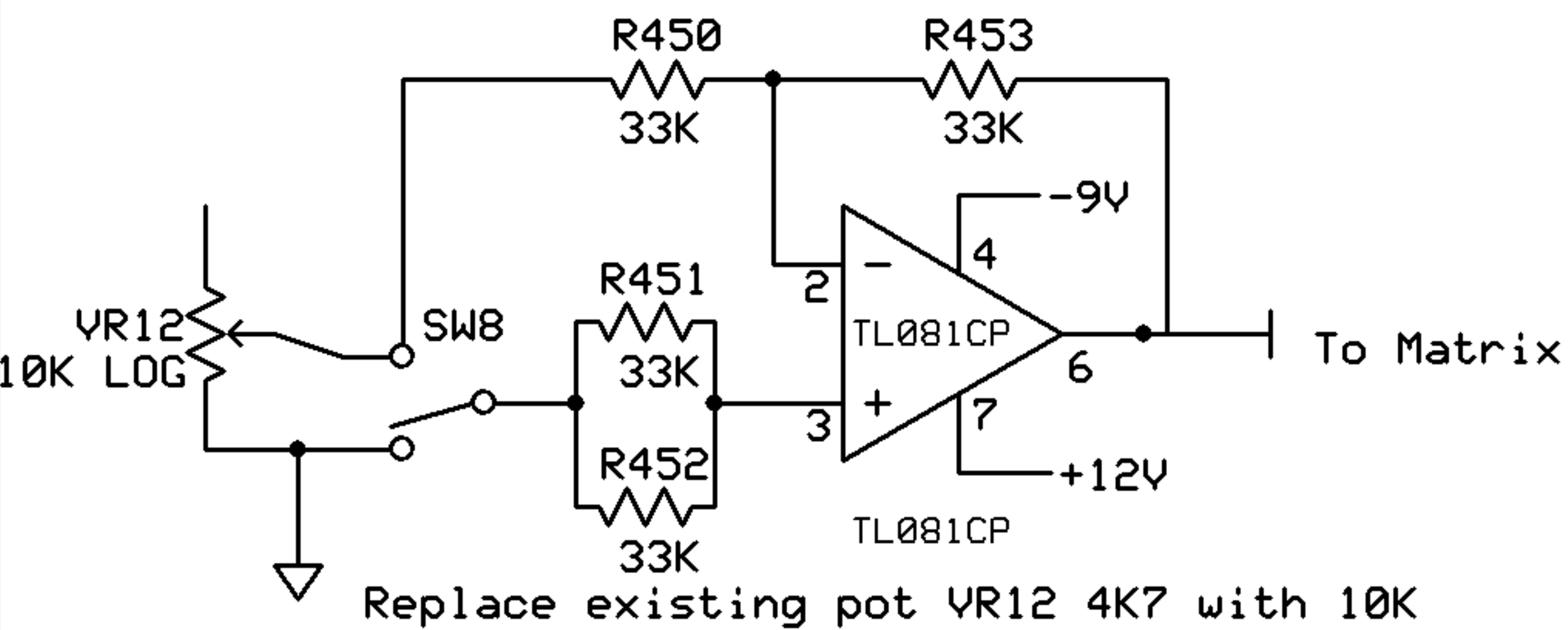
**VC Filter Response**



**Osc. 3  
Hi/Lo**



**+/- Trapezoid Invertor**



Sage Music Electronics

Various Synthesizer Mods