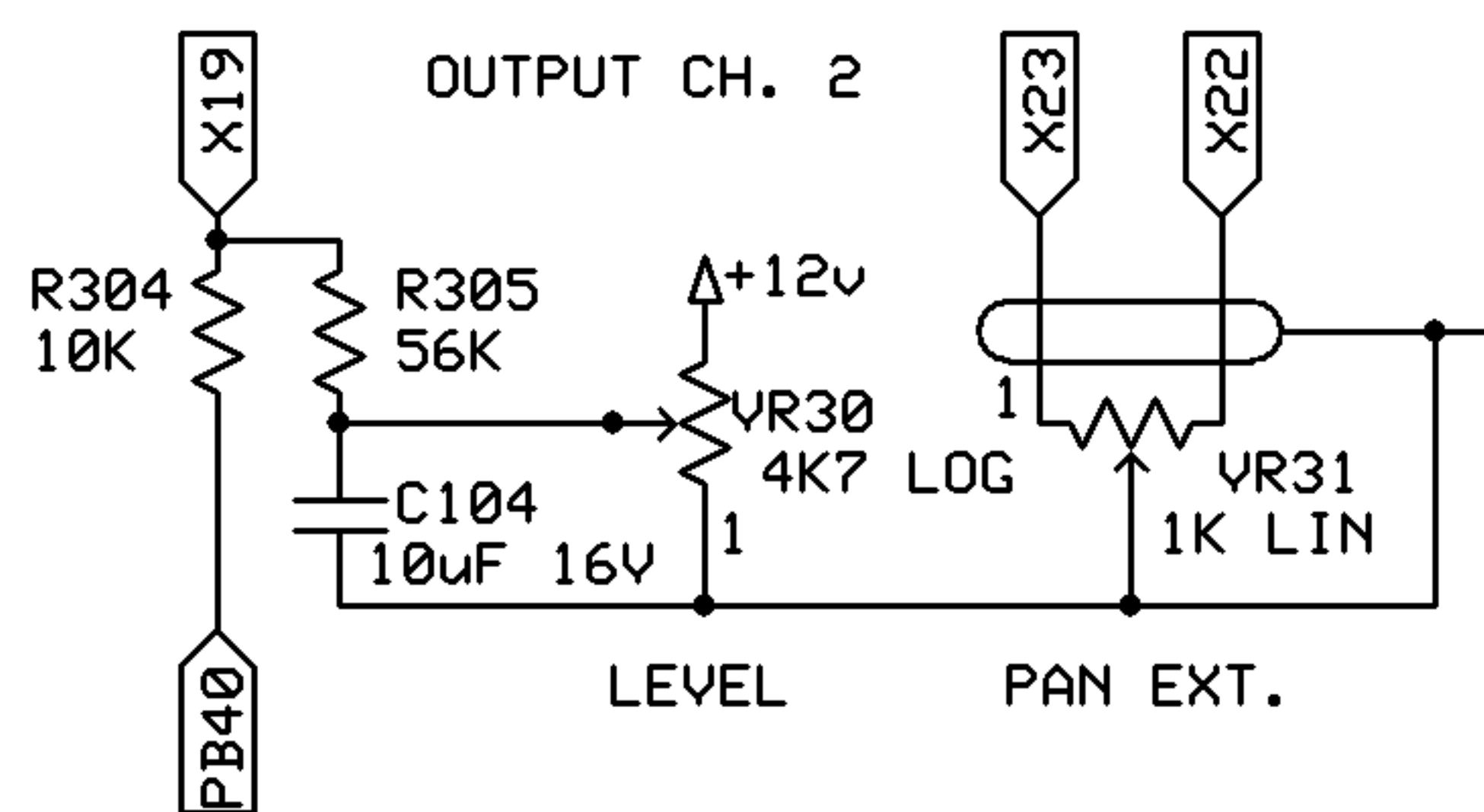
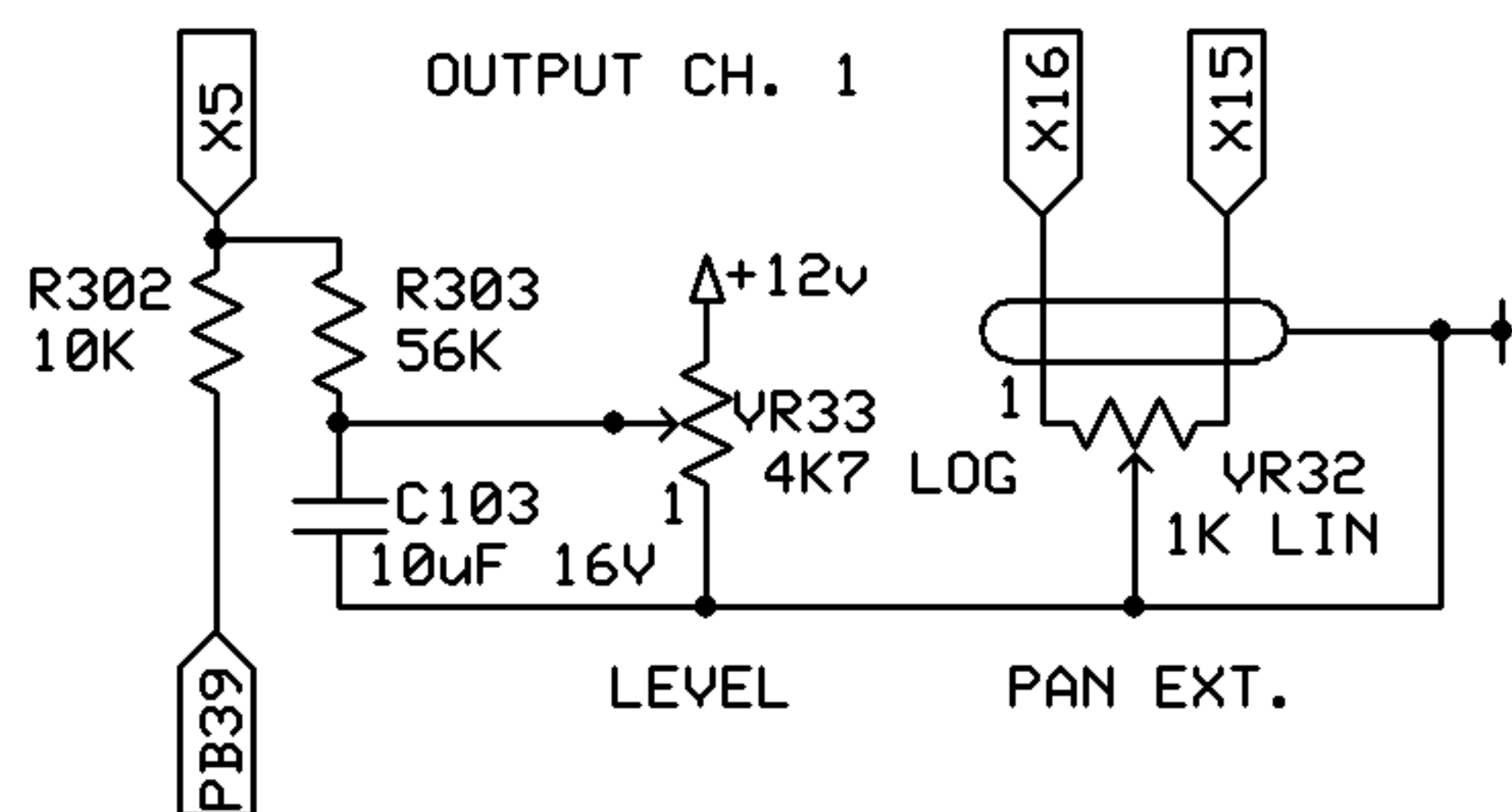
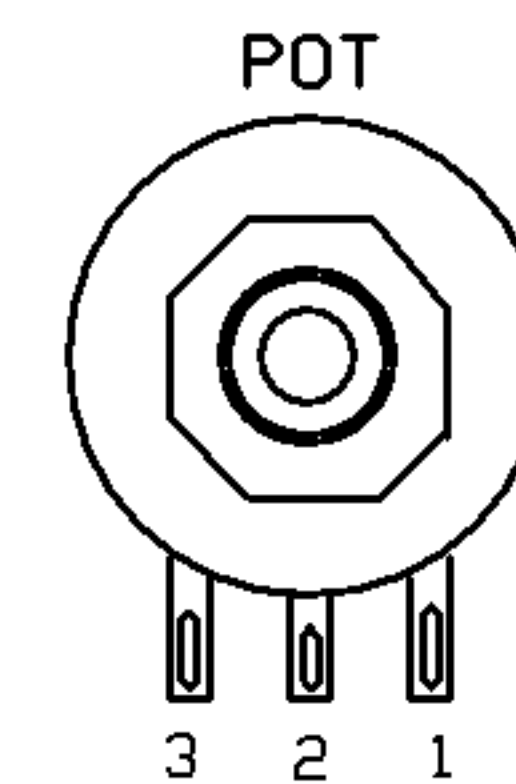


Viewed from Front



*note L2 can be replaced with an low current LED and a 6V8 Zener and a 200R resistor in series

Sage Music Electronics

Internal wiring connections